

*User's Guide*

*Service Addendum*

# **Amiga CD<sup>32</sup>**

**July 1993**

371223-01

Commodore

# ENGINEERING CHANGE REQUEST (SHEET 1)

CHG NO.

WC 3267

DATE

7/15/93

SHEET

1 OF 11

REASON FOR CHANGE

UPDATE SCHEMATIC TO MATCH CDGS REV. 3  
PRODUCTION PCB.

## ENGINEERING APPROVED



AFFECTED PRODUCTS

CD 32

TYPE OF CHANGE

REGULAR    EMERGENCY    DOC. MAINTENANCE

DRAWINGS TO BE REVISED OR DRAWN

DRAWING NO.	TITLE	REVISION	
		FROM	TO (NEW)
365100	SCHEMATIC, CD GAME SYSTEM	D	E

DESCRIPTION OF CHANGE

RELEASE ATTACHED SCHEMATIC FOR DISTRIBUTION

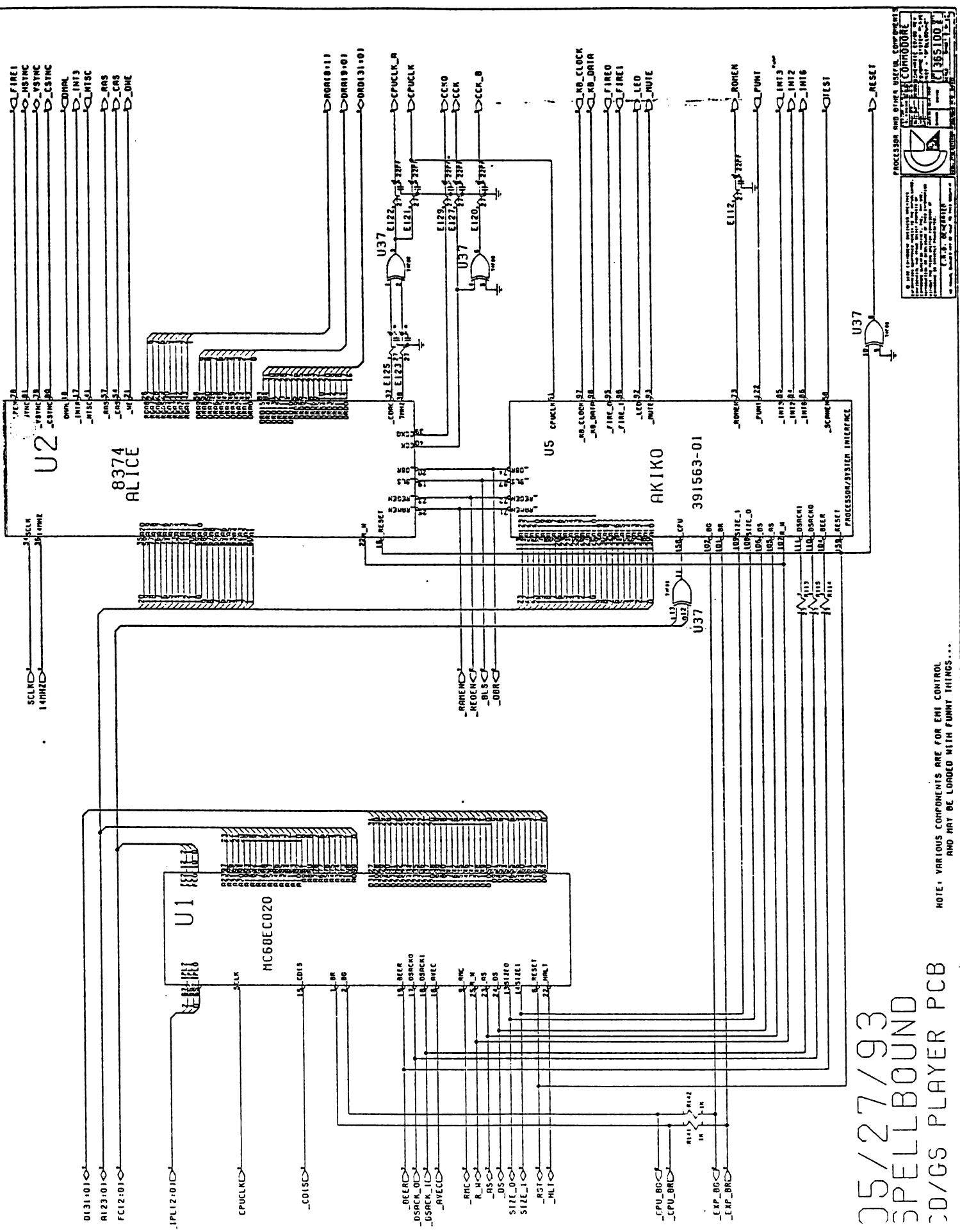
DISTRIBUTION			REVIEW AUTHORIZATION				ORIGINATOR (PRINT)	
INFO	APPL.	LOCATION	APP	SIGNATURE	HOLD	REJ.	DATE	
	✓	W.C. ENG.	✓	<i>George Robbins</i>			7/15/93	BRIAN FENIMORE
		W.C. SAF.						DEPT. MANAGER
		BSW ENG.						GEORGE ROBBINS
		BSW SAF.						IMPLEMENTATION
		HK						<input checked="" type="checkbox"/> RUNNING CHANGE <input type="checkbox"/> NEW PRODUCTION <input type="checkbox"/> W.I.P. <input type="checkbox"/> F.G. STOCK <input type="checkbox"/> IN FIELD
		PHILIPPINES						REMARKS

REASON FOR HOLD/REJECTION

DISPOSITION OF OLD REVISION PARTS

SCRAP	REWORK	USE AS IS	RTV
D.C AUTH./PREPARED ECO			
SIG:		DATE:	
ECO #			



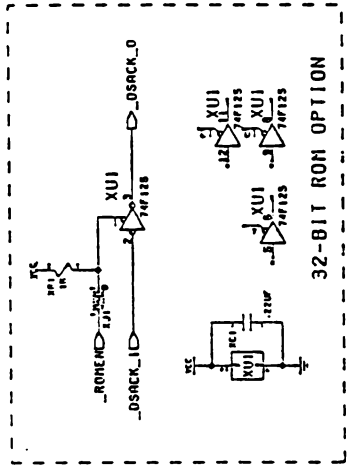
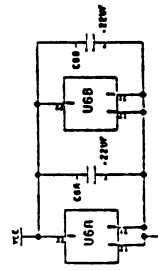
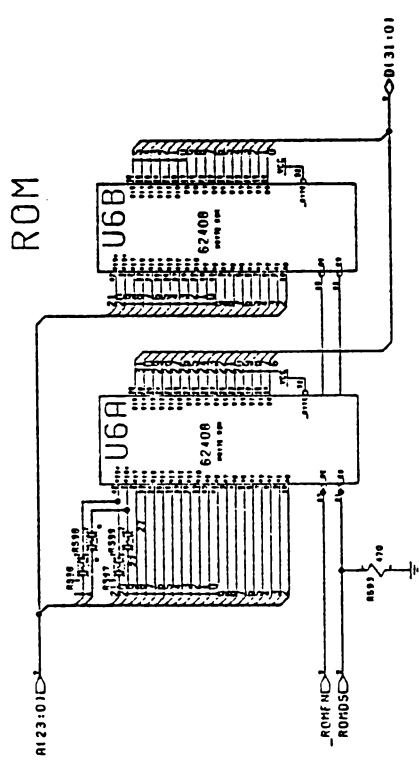
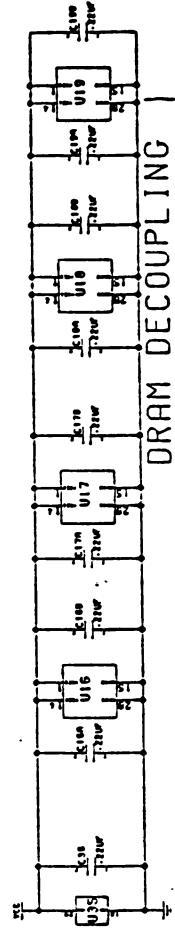
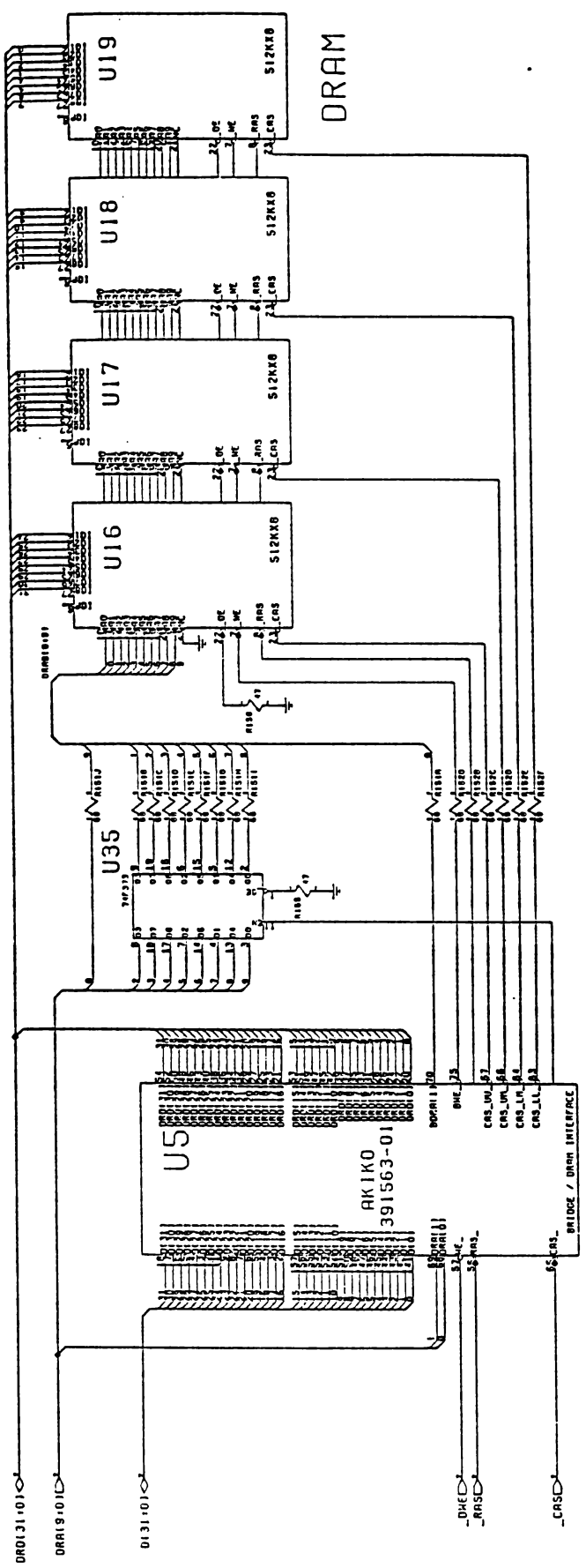


05/27/93  
 SPELLBOUND  
 CD/GS PLAYER PCB

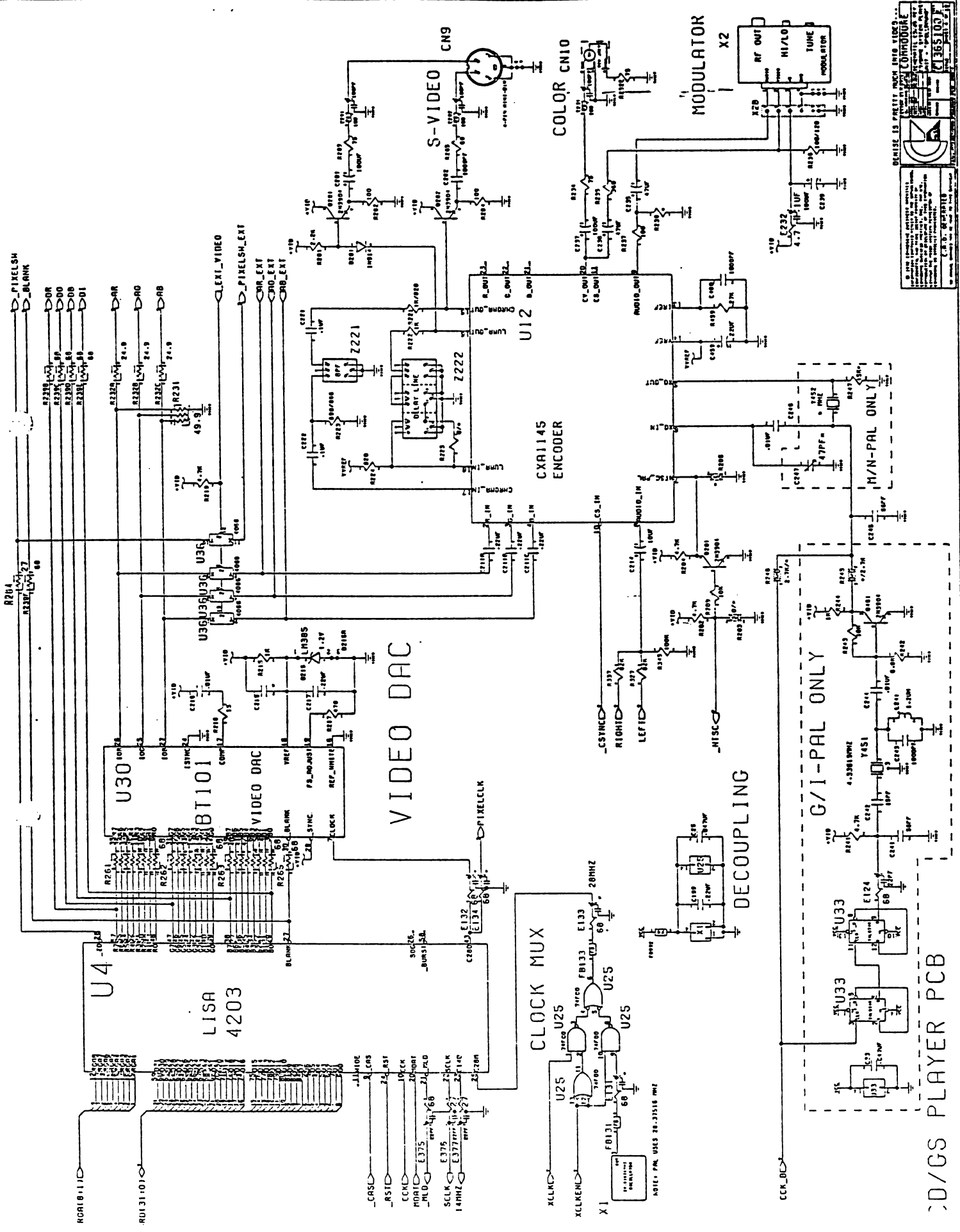
NOTE: VARIOUS COMPONENTS ARE FOR EMI CONTROL  
 AND MAY BE LOADED WITH FUNNY THINGS...

PROCESSOR AND OTHER USER COMPONENTS

© 1993 LAMARCA ENTERTAINMENT, INC.  
 ALL RIGHTS RESERVED.  
 THE SPELLBOUND CD/GS PLAYER IS A REGISTERED TRADEMARK OF LAMARCA ENTERTAINMENT, INC.  
 LAMARCA ENTERTAINMENT, INC. 10000 WILLOW CREEK DRIVE, SUITE 100, FORT WORTH, TEXAS 76154-1000  
 TEL: 817-335-1000 FAX: 817-335-1001



REPORT ENG. UNIT - I USED IN RESPONSE  
 TO THIS REQUEST FROM THE CUSTOMER  
 DATE: 01/02/10  
 BY: J. B. BENTLEY  
 (1365100)



© 1985 Apple Computer, Inc. All rights reserved. This document is the property of Apple Computer, Inc. and is to be distributed only to those authorized by Apple Computer, Inc. for this purpose.

THIS IS A PRELIMINARY DRAWING. IT IS SUBJECT TO CHANGE WITHOUT NOTICE.

DATE: 11/18/85

DRAWN BY: J. B.

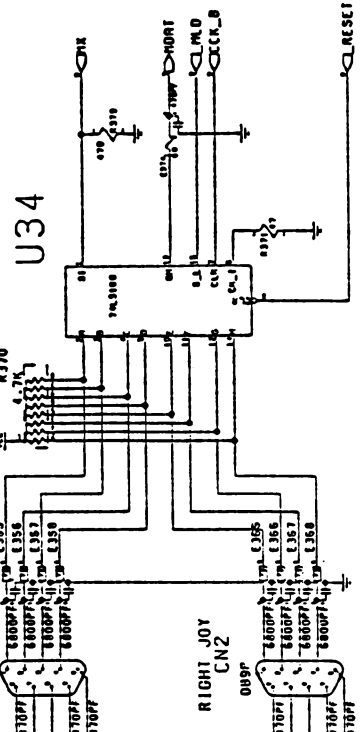
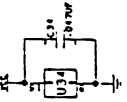
CHECKED BY: J. B.

APPROVED BY: J. B.

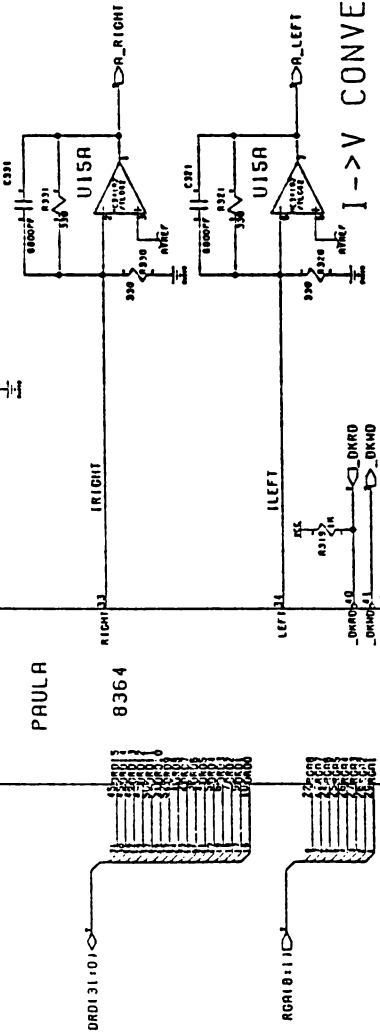
PART NUMBER: 31-33116-002

VIDEO PLAYER PCB

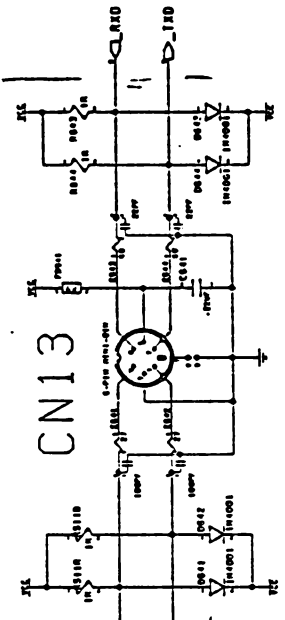
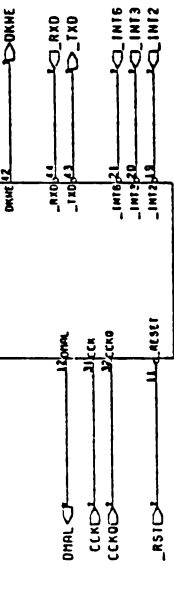
DECOUPLING



MOUSE/JOYSTICK PORTS



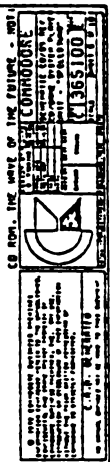
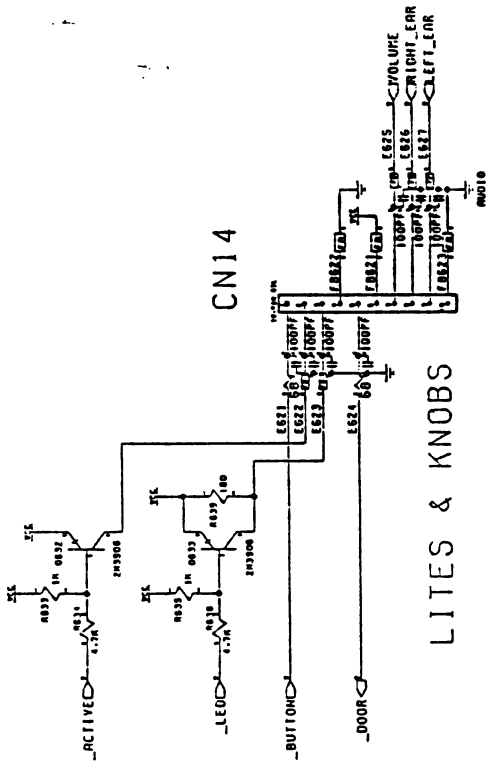
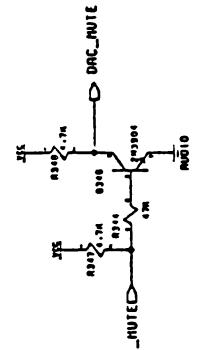
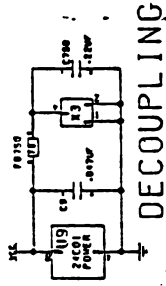
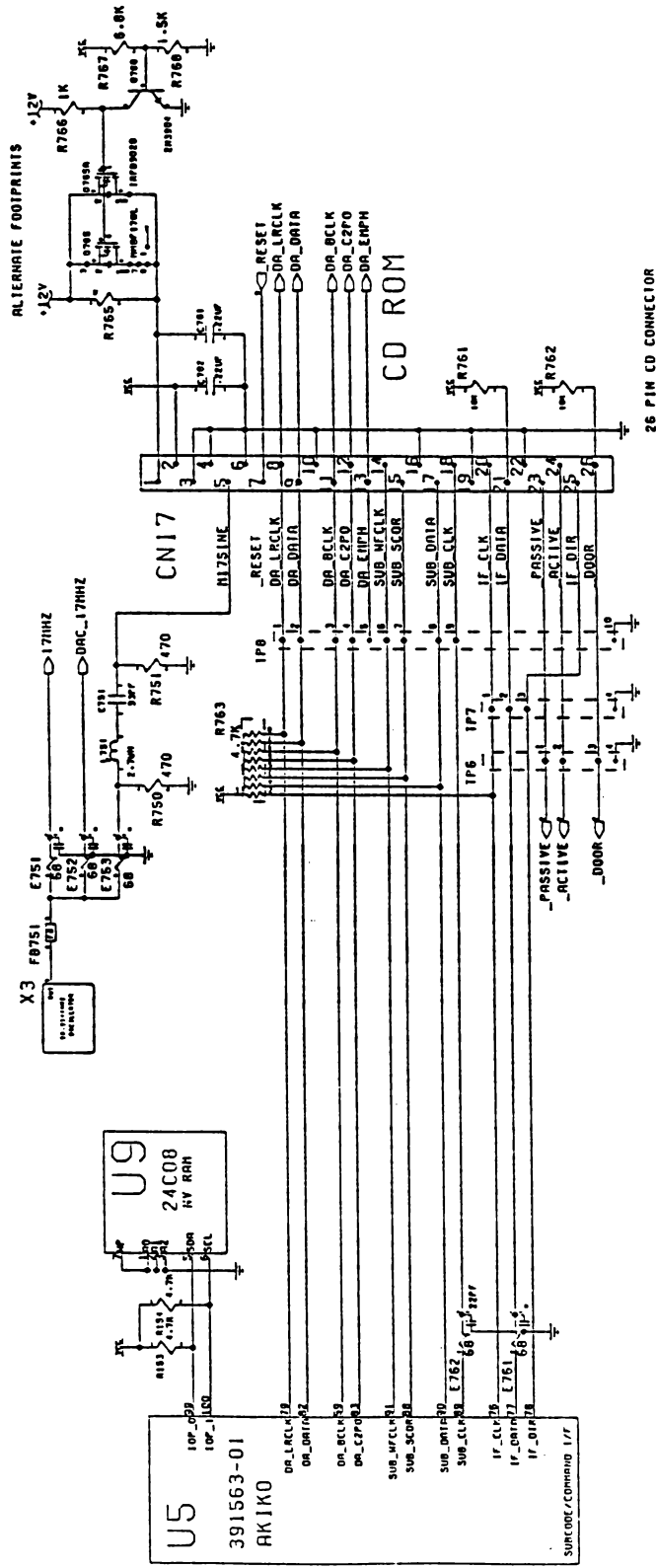
I -> V CONVERTER



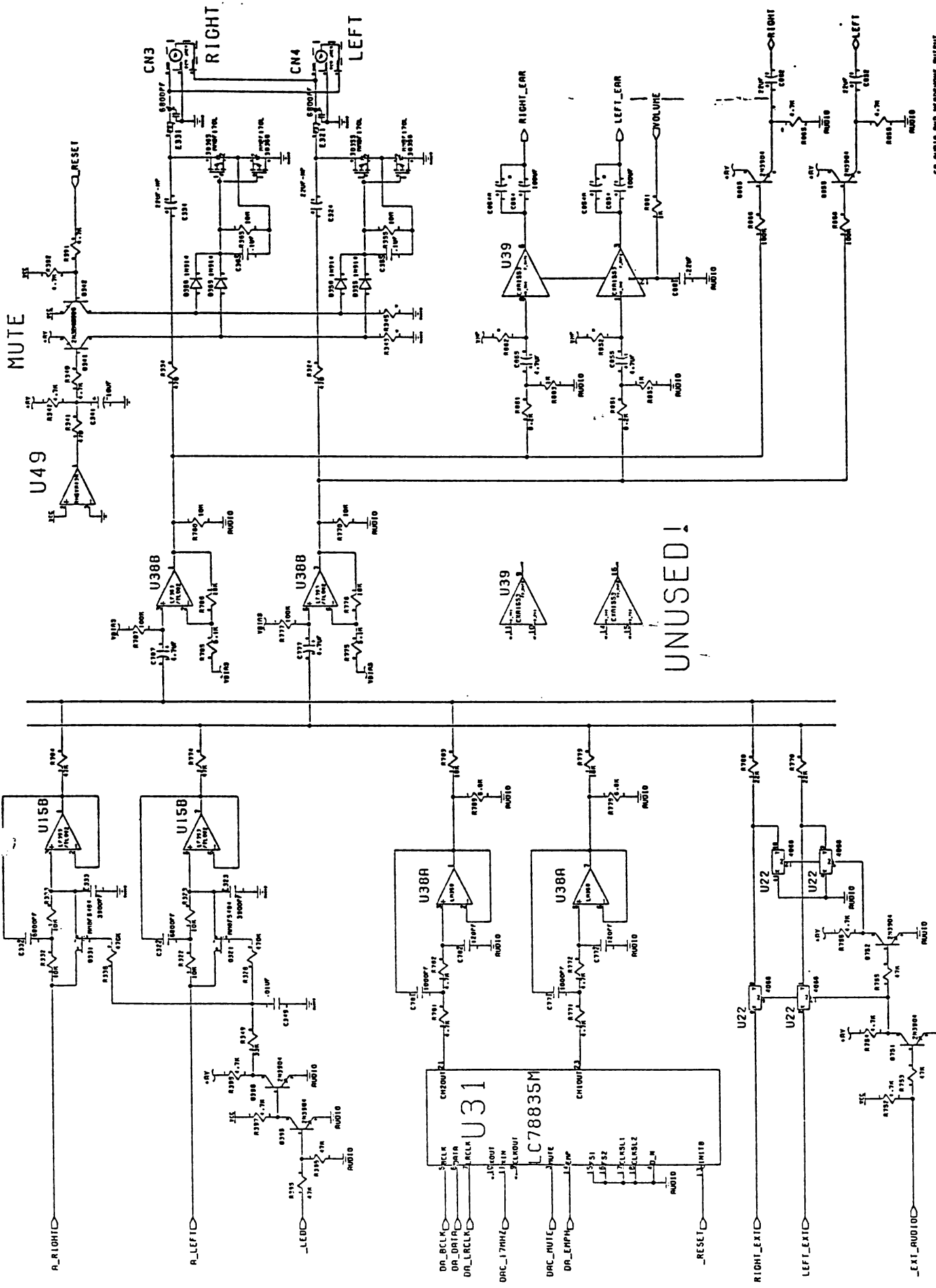
KEYBOARD

RESET

PAUL PREPERS THE INDUSTRY'S MOST  
 REPUTABLE KEYBOARD  
 PAUL PREPERS THE INDUSTRY'S MOST  
 REPUTABLE KEYBOARD  
 PAUL PREPERS THE INDUSTRY'S MOST  
 REPUTABLE KEYBOARD  
 PAUL PREPERS THE INDUSTRY'S MOST  
 REPUTABLE KEYBOARD

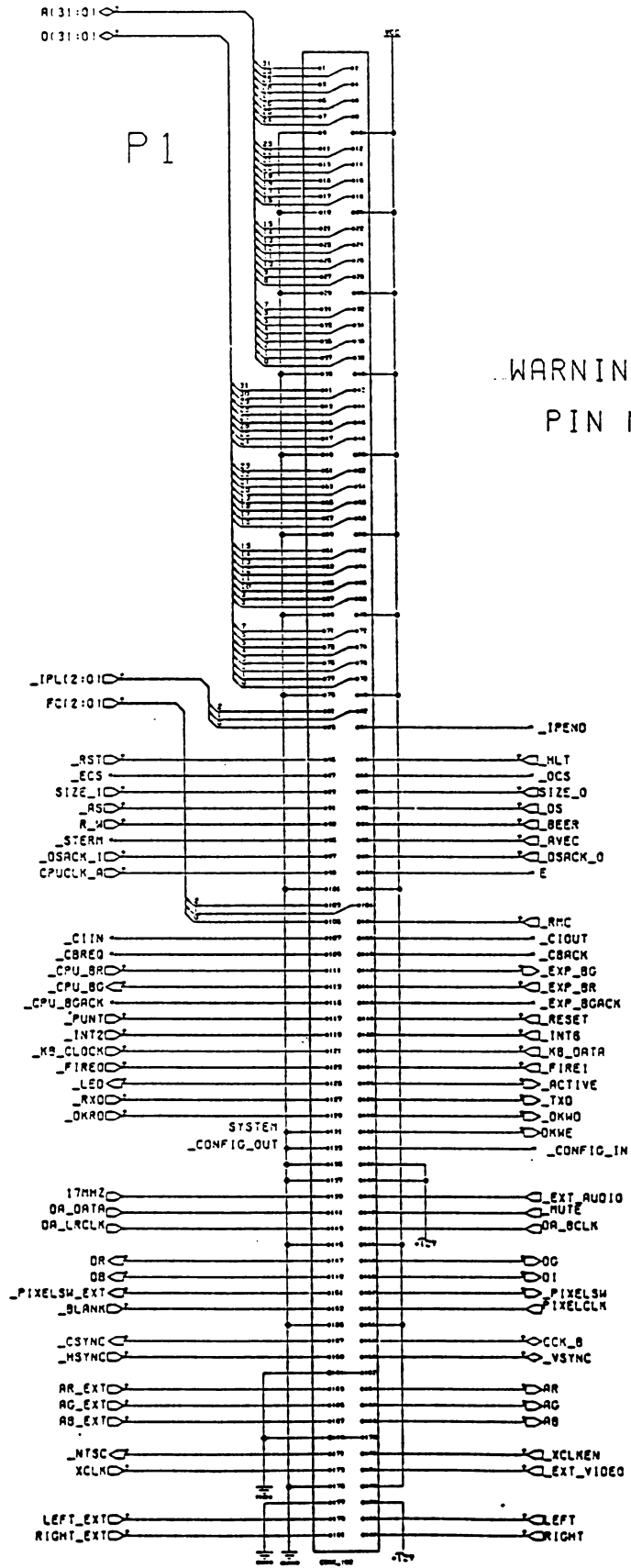






CD/GS PLAYER PCB

# EXPANSION CONNECTOR



WARNING:  
PIN NUMBERS ARE BACKWARDS

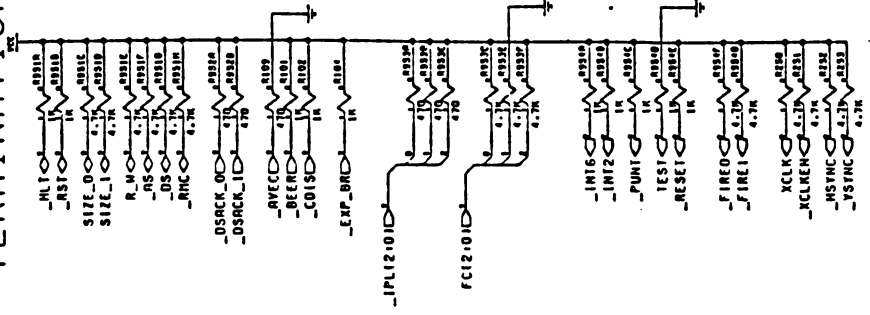
CD/GS PLAYER PCB

EXPANSION OR IS IF NONE

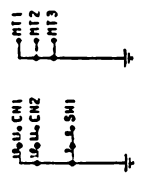
C.S. ELECTRONICS

1365100

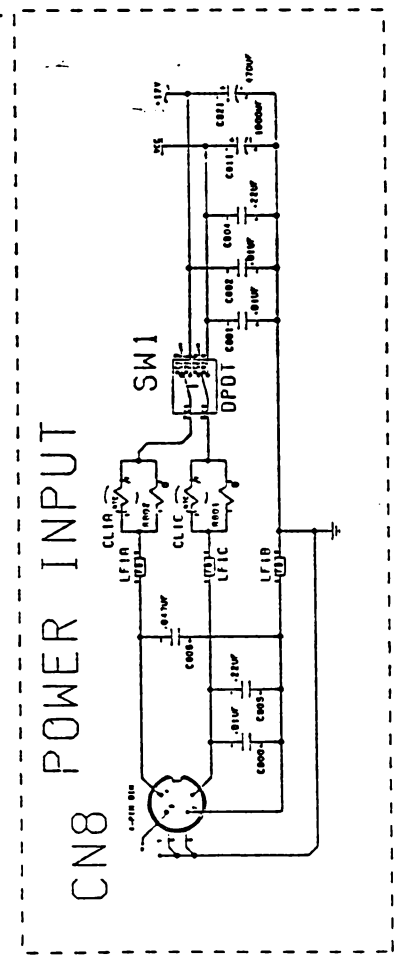
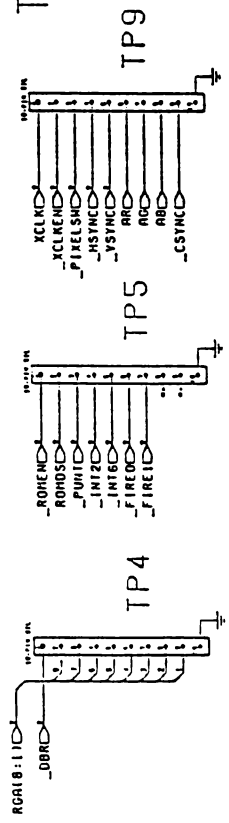
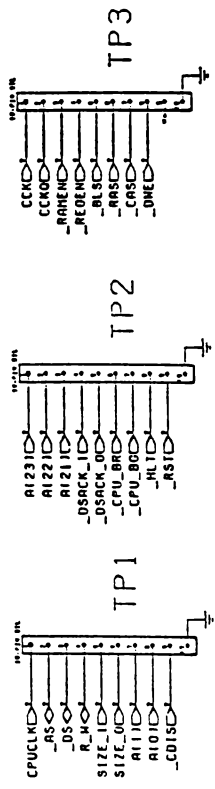
# TERMINATION



# HOLES & C.

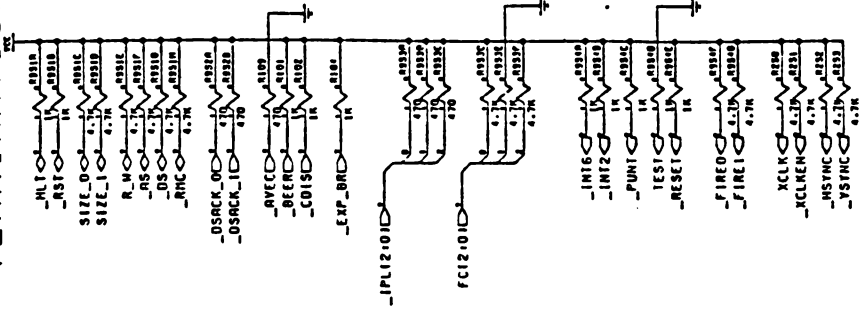


# TEST ACCESS

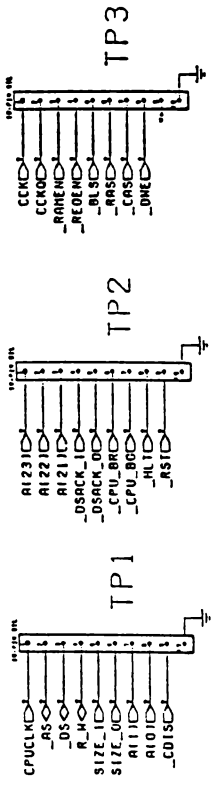
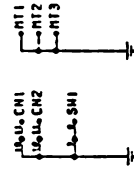


USEP INCREASE BUS RELATED BOARD RATES  
 PART NUMBER: **COMPTON**  
 DATE: **1985.11.10**  
 DRAWN BY: **Y. S. CHEN**  
 CHECKED BY: **Y. S. CHEN**  
 APPROVED BY: **Y. S. CHEN**  
 PROJECT: **CD/GS PLAYER PCB**  
 SHEET: **1** OF **1**  
 (365100)

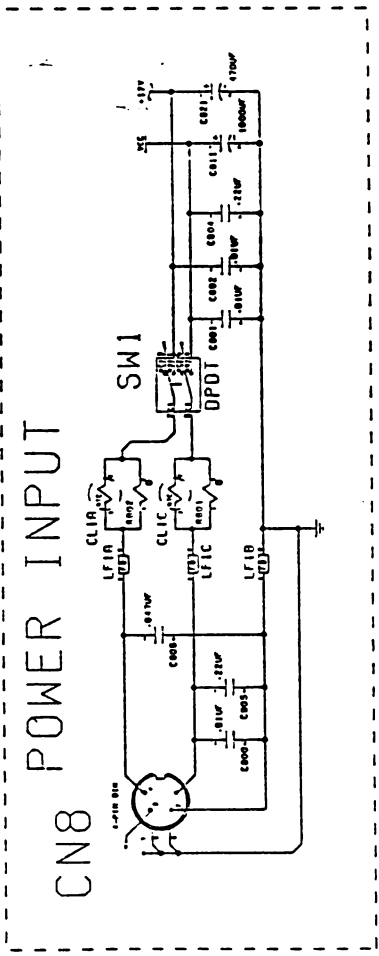
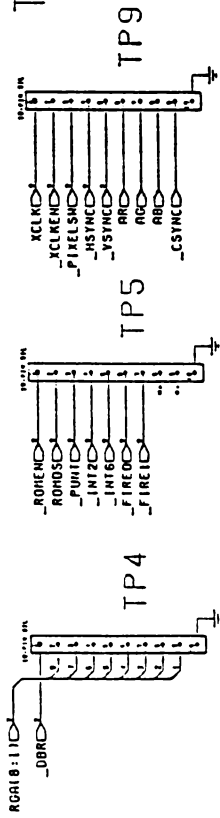
TERMINATION



HOLES & C.



TEST ACCESS



USER INTERFACE AND RELATED BOARD PARTS

COMPTON

Part No. 15851001

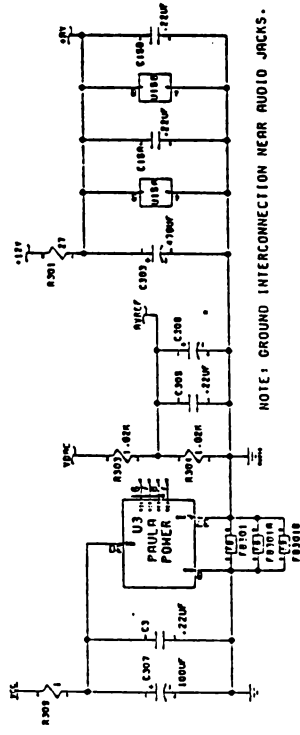
DATE: 1985.01.10

DESIGNED BY: [signature]

CHECKED BY: [signature]

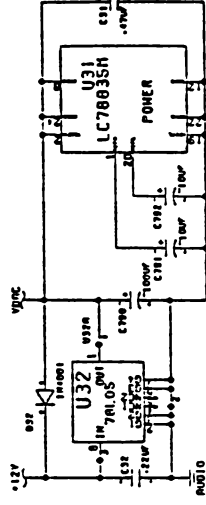
REVISION: 1.0

# PAULA/AUDIO DECOUPLING

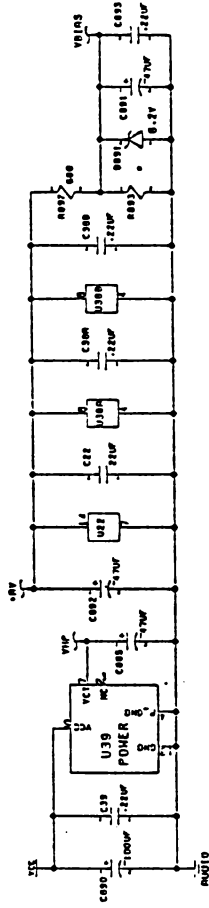


NOTE: GROUND INTERCONNECTION NEAR AUDIO JACKS.

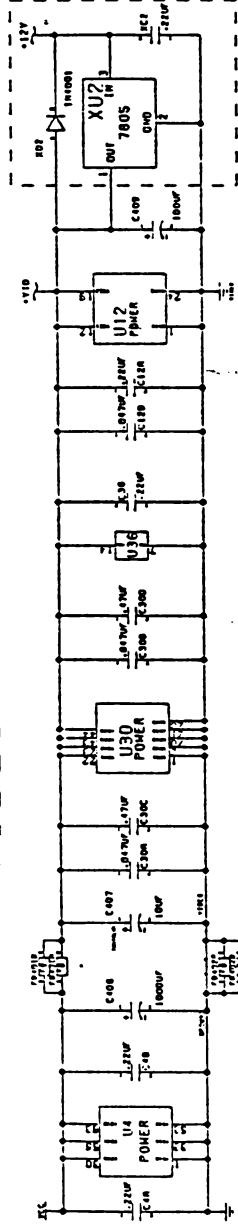
# CD/AUDIO DAC DECOUPLING



# HEADPHONE/AUDIO DECOUPLING

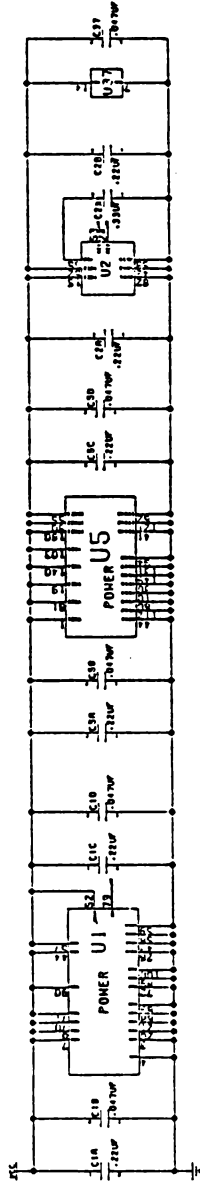


# VIDEO DECOUPLING



NOTE: FB401/402 ARE VIDEO GROUND FIDDLES

# PROCESSOR/GATOR/ALICE DECOUPLING



# CD/GS PLAYER PCB

© 1984 International Business Machines Corporation  
 IBM and the IBM logo are trademarks of International Business Machines Corporation.  
 POWER MANAGEMENT & DECOUPLING DESIGN  
 IBM POWERPC  
 FILE NO. 365100  
 DATE 11/18/84



**This was brought to you**

**from the archives of**

**<http://retro-commadore.eu>**