

*User's Guide*

*Service Addendum*

# **Amiga CD<sup>32</sup>**

**July 1993**

371223-01

**ENGINEERING CHANGE REQUEST (SHEET 1)**

CHG. NO.

WC 3267

DATE

7/15/93

SHEET

1 OF 11

REASON FOR CHANGE

UPDATE SCHEMATIC TO MATCH CDGS REV. 3  
 PRODUCTION PCB.

**ENGINEERING APPROVED**



AFFECTED PRODUCTS

CD 32

TYPE OF CHANGE

REGULAR     EMERGENCY     DOC. MAINTENANCE

DRAWINGS TO BE REVISED OR DRAWN

DRAWING NO.	TITLE	REVISION	
		FROM	TO (NEW)
365100	SCHEMATIC, CD GAME SYSTEM	D	E

DESCRIPTION OF CHANGE

RELEASE ATTACHED SCHEMATIC FOR DISTRIBUTION

DISTRIBUTION			REVIEW AUTHORIZATION				ORIGINATOR (PRINT)	
INFO	APPL.	LOCATION	APP.	SIGNATURE	HOLD	REJ.	DATE	
	✓	W.C. ENG.	✓	<i>George Robbins</i>			7/15/93	BRIAN FENIMORE
		W.C. SAF.						DEPT. MANAGER
		BSW ENG.						GEORGE ROBBINS
		BSW SAF.						IMPLEMENTATION
		HK						<input checked="" type="checkbox"/> RUNNING CHANGE <input type="checkbox"/> NEW PRODUCTION <input type="checkbox"/> W.I.P. <input type="checkbox"/> F.G. STOCK <input type="checkbox"/> IN FIELD
		PHILIPPINES						REMARKS

REASON FOR HOLD/REJECTION

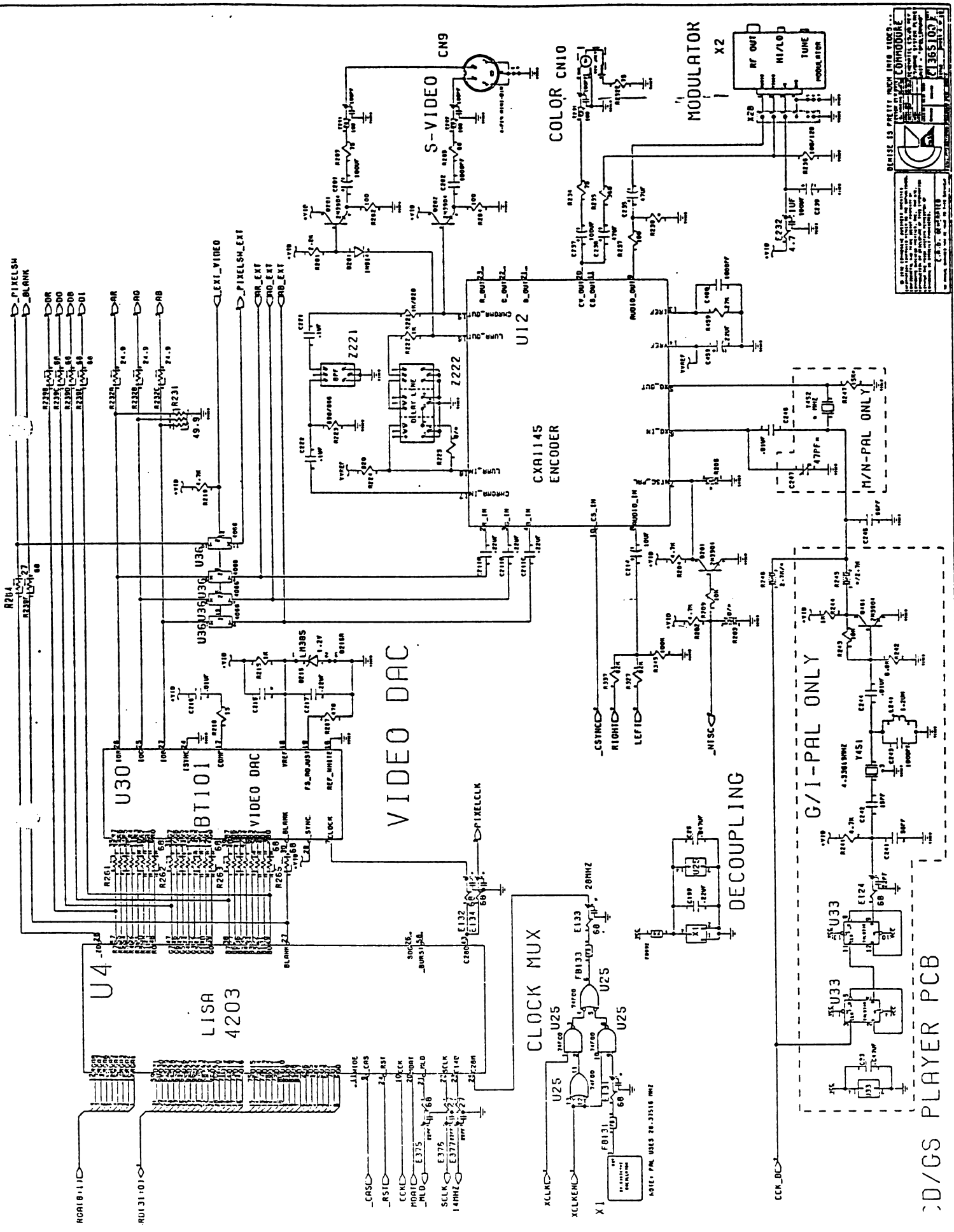
DISPOSITION OF OLD REVISION PARTS

SCRAP	REWORK	USE AS IS	RTV
D.C AUTH./PREPARED ECO			
SIG:		DATE:	
ECO #			







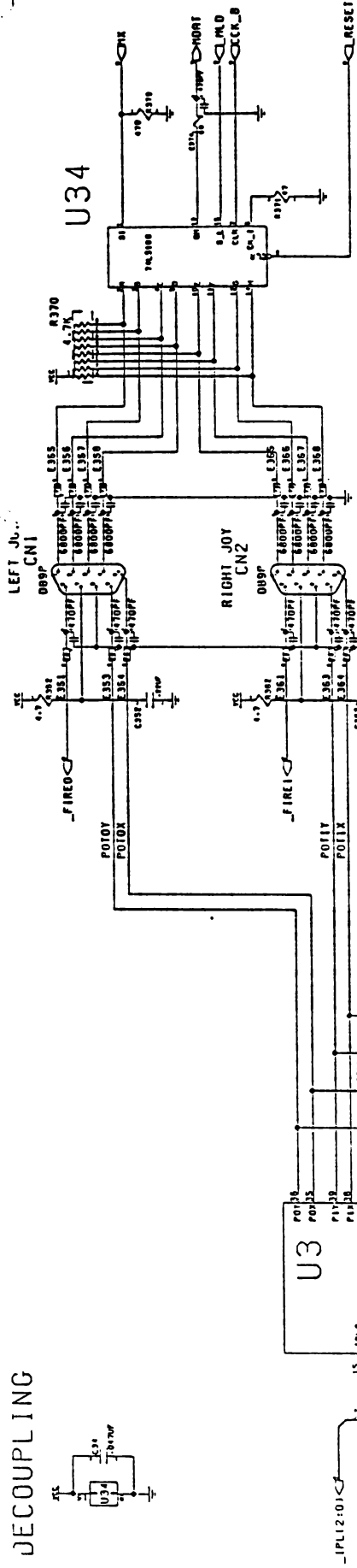
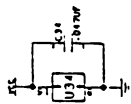


© 1985 Commodore International, Inc.  
 Commodore 64/128 Video Player PCB  
 Part No. 64128-01  
 Revision 1.0  
 Printed in the U.S.A.

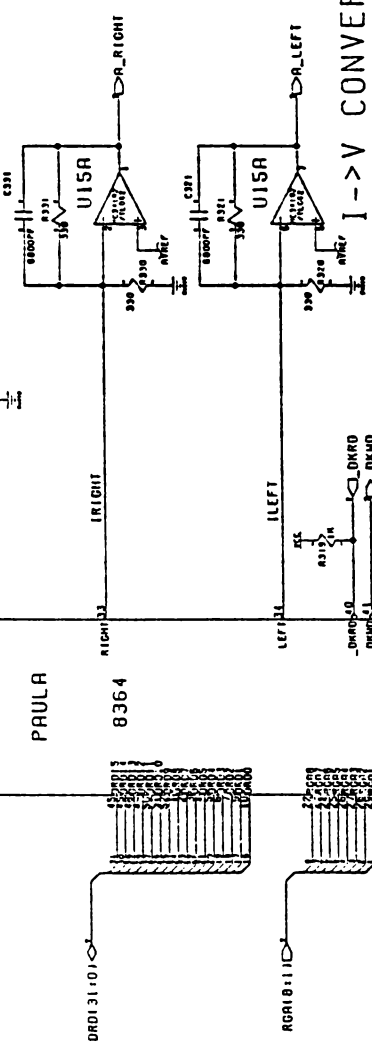
THIS BOARD IS PART OF THE VIDEO PLAYER PCB ASSEMBLY.  
 IT IS NOT TO BE USED IN ANY OTHER APPLICATION.  
 ALL RIGHTS RESERVED.

VIDEO PLAYER PCB  
 G/I-PAL ONLY

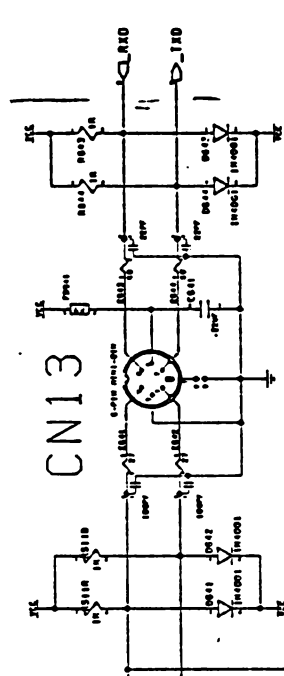
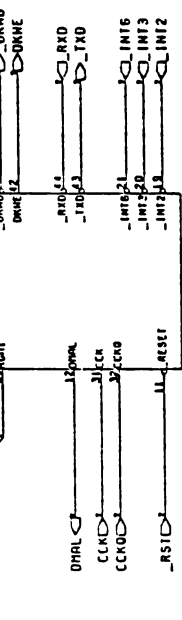
DECOUPLING



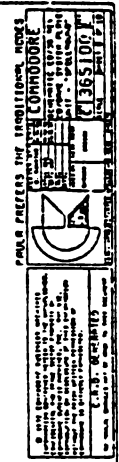
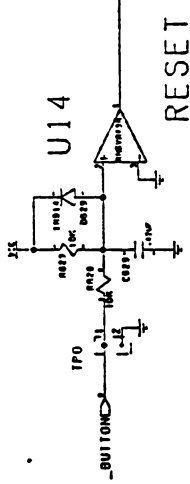
MOUSE/JOYSTICK PORTS



I -> V CONVERTER



KEYBOARD







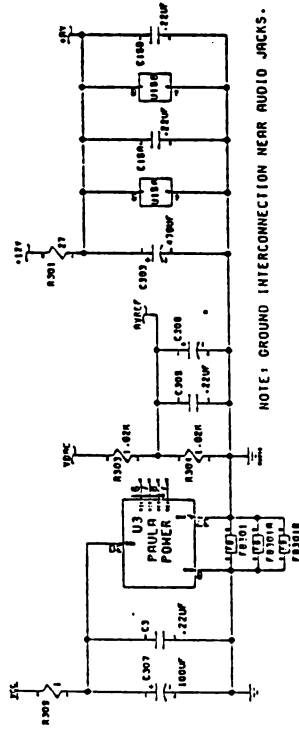






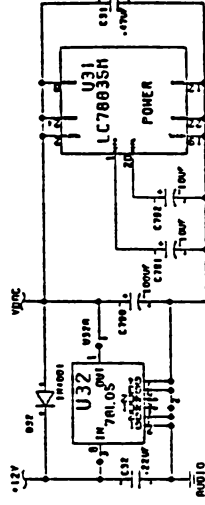


# PAULA/AUDIO DECOUPLING

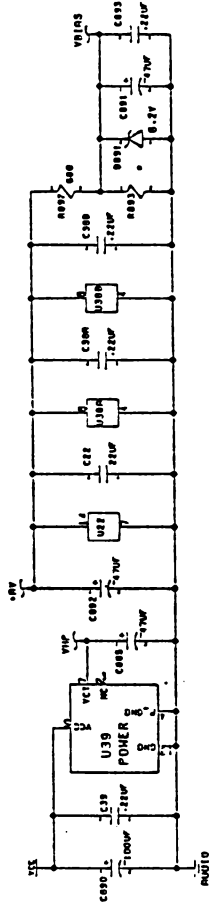


NOTE: GROUND INTERCONNECTION NEAR AUDIO JACKS.

# CD/AUDIO DAC DECOUPLING



# HEADPHONE/AUDIO DECOUPLING





**This was brought to you**

**from the archives of**

**<http://retro-commadore.eu>**