

ITEM	KIND OF COMPONENT	MANUFACTURER	INFORMATION ABOUT TYPE, CURRENT, POWER ETC	TEST MARK
1	X-CAPACITOR		0.1UF 250VAC OR EQUIVALENT	
	"	TEAPO	0.1UF 250VAC EMP-P	VDE
	"	ROEDERSTEIN	0.1UF 250VAC F1772HMF/X	VDE
	"	ARCO	0.1UF 250VAC 1.5B.50	VDE
	"	RIFA	0.1UF 250VAC 271M510	VDE
	"	THOMSON	0.1UF 250VAC CPX2	VDE
	"	PHILIPS	0.1UF 250VAC 2222 330 60105	VDE
	"	TAISHING	0.1UF 250VAC MEX	VDE
2	Y-CAPACITOR		3300PF 250VAC/400VAC OR EQUIVALENT	
	"	ROEDERSTEIN	3300PF 250VAC MKD	VDE
	"	MATSUSHITA	3300PF 250VAC NS	VDE
	"	RIFA	3300PF 250VAC PME 271 Y	VDE
	"	MURATA	3300PF 250VAC KC	VDE
	"	ARCO	3300PF 250VAC 1.73	VDE
	"	TDK	3300PF 400VAC CS	VDE
3	FUSE		250VAC 1A OR EQUIVALENT	
	"	WICKMANN	250V F1A TYP 19 1P3	VDE
	"	BUSCHAN	250VAC F1A 50B	SENKO
	"	BEL	250V F1A 50F2	SENKO
	"	TRIAD	250VAC 1A 50F.020.H	SENKO
	"	INTERLAB	250VAC 1A 50T	VDE
4	POWER SWITCH		250VAC 6A 250V OR EQUIVALENT	
	"	ARCO	250V 6A T8400	VDE
5	PHOTO COUPLE			
	"	GE	H11AV1	VDE
	"	TOSHIBA	TLP731	VDE
	"	ISGCON	IS615	VDE
	"	ISGCON	IS202	VDE
	"	GI	CNY17-3Z	VDE
6	INPUT CABLE			
	"	LONGWELL	38 0.75mm H05VV-F LP-33,34	VDE
	"	UNION ELECTRIC	38 0.75mm H05VV-F UP-401	VDE
	"	FIRMA	38 0.75mm H05VV-F TS-407	VDE
7	POWER TRANSISTOR		600V 5A OR EQUIVALENT	
	"	SANKEN	600V 5A 28C3679	
8	INPUT CAPACITOR			
	"	MARCON	100UF 450V TSW SERIES	
	"	RUEYCON	100UF 450V LP SERIES	
	"	KICHICON	100UF 450V PS SERIES	
	"	CHATS	100UF 450V LS SERIES	
	"	TOSHIN	100UF 450V L82-A	
	"	ELITE	100UF 450V 6M SERIES	
	"	NIPPON CHEMICON	100UF 450V SNG SERIES	

DSF-A500 (VSE)

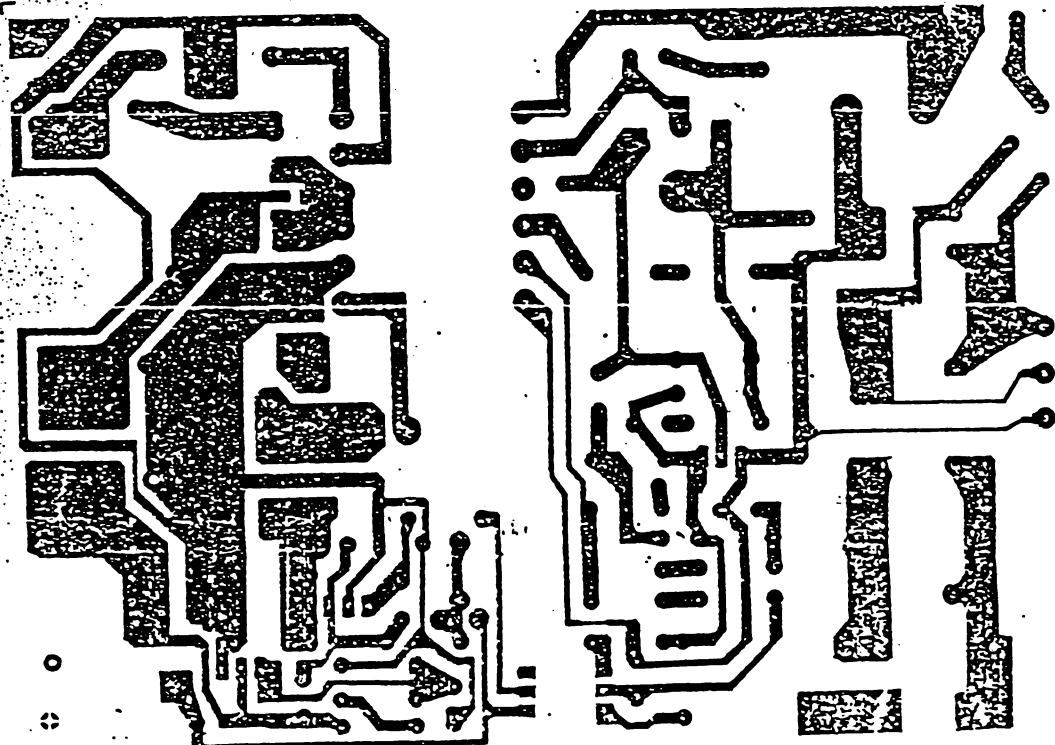
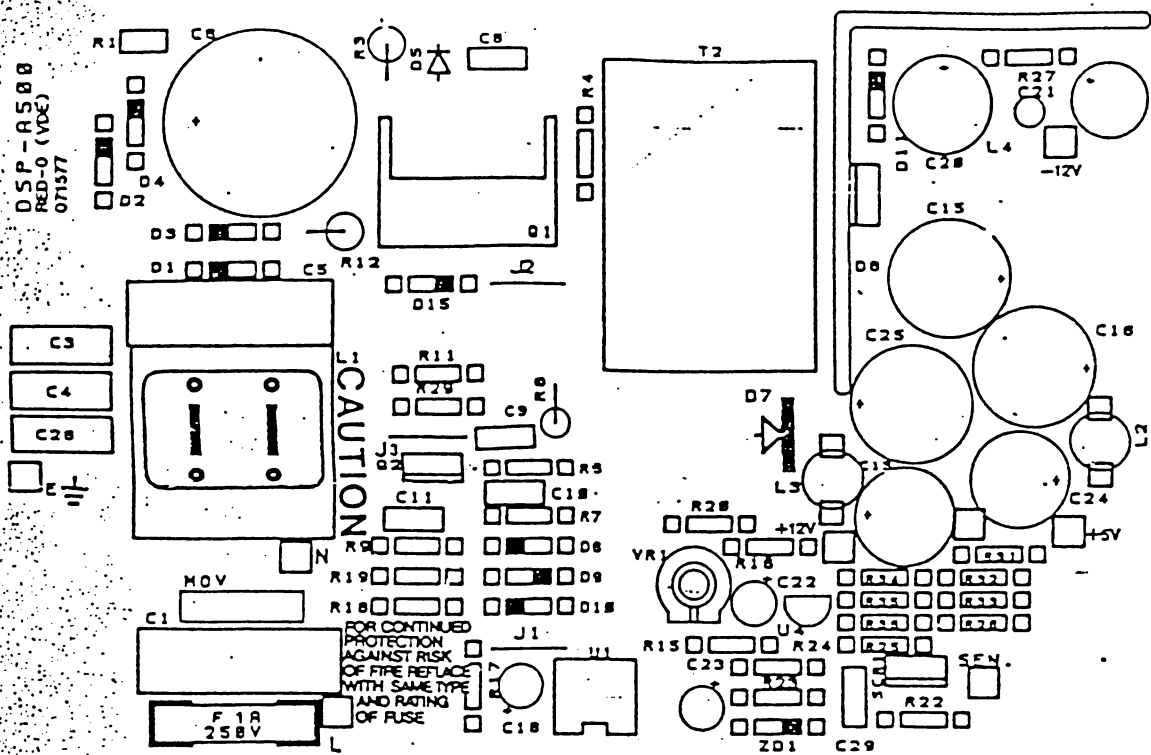
=====

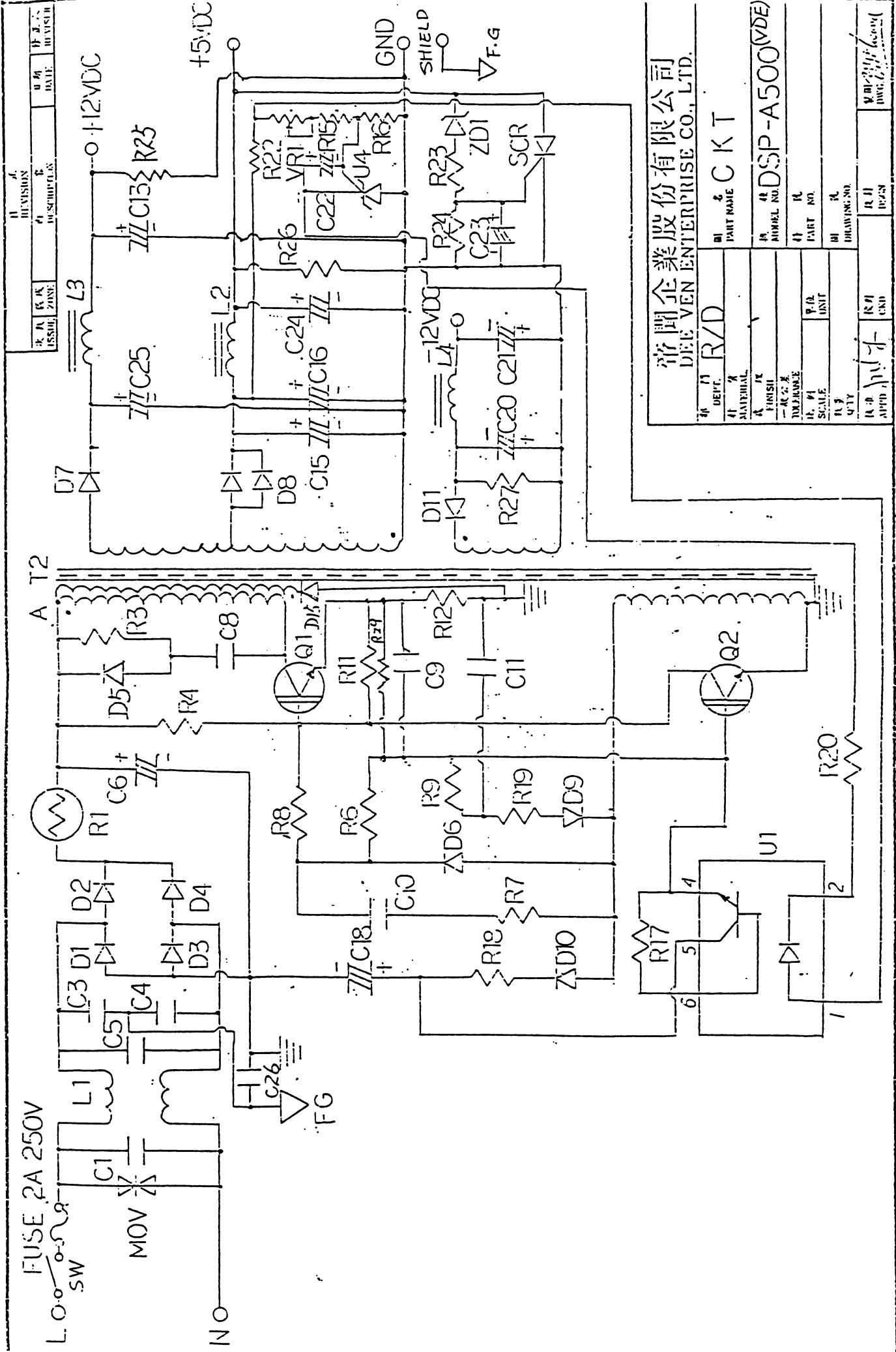
DATE: 6-27-88

PAGE: 2 OF 2

ITEM	KIND OF COMPONENT	MANUFACTURER	TYPE	WINDING RESISTANCE (OHM)	INSULATION CLASS INSULATING MATERIAL
1	L1	DEE VAN	COMMON CHOKE	0.95 OHM	A
2	L2	DEE VAN	NORMAL CHOKE	5.6 $\mu$ OHM	A
3	L3	DEE VAN	NORMAL CHOKE	7.4 $\mu$ OHM	A
4	L4	DEE VAN	NORMAL CHOKE	6.3 $\mu$ OHM	A
5	T2	DEE VAN	MAIN X'FR	P1 740 OHM P2 1.35 OHM P3 80 $\mu$ OHM S1 5.1 $\mu$ OHM S2 17.6 $\mu$ OHM S3 76 $\mu$ OHM	A

DSP-A500  
RED-0 (VDC)  
071577

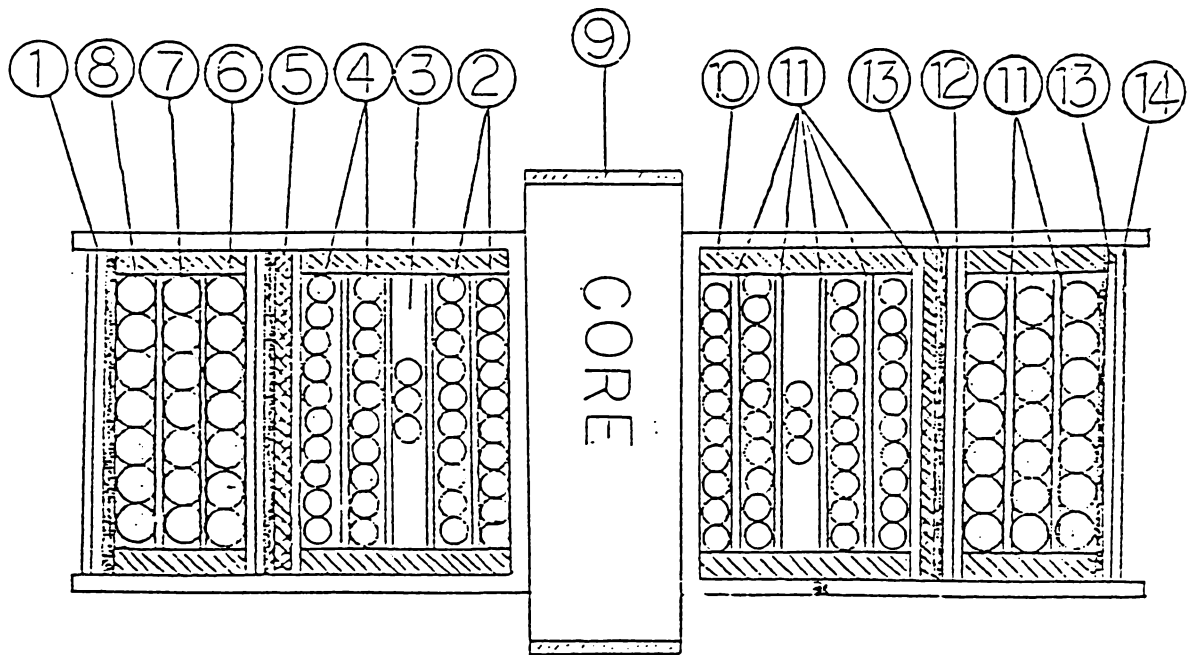




REVISION		DATE		REVISION	
ISSUE		DATE		REVISION	
DESCRIPTION					
DEPT.	DEPT.	PART NAME			
MATERIAL	MATERIAL	48 C K T			
FINISH	FINISH	MODEL NO. 48 DSP-A500(VDE)			
REFERENCE	REFERENCE	PART NO.			
SCALE	SCALE	DRAWING NO.			
QTY	QTY	REV. 11			
APPD.	APPD.	REV. 11			
DRAWN		REV. 11			

帝聞企業股份有限公司  
 DEE VEN ENTERPRISE CO., LTD.

1/50



NO.	DESCRIPTION
1	BOBBIN 0.8mm (min)
2	PRIMARY WINDING P3 2UEW 0.27 $\phi$ 4 TURNS
3	PRIMARY WINDING P2 2UEW 0.27 $\phi$ 80 TURNS
4	PRIMARY WINDING P1 2UEW 0.4 $\phi$ 80 TURNS
5	COPPER FOIL
6	SECONDARY WINDING S1 2UEW 0.55 $\phi$ x5,4 TURNS
7	SECONDARY WINDING S3 2UEW 0.45 $\phi$ 9 TURNS
8	SECONDARY WINDING S2 2UEW 0.45 $\phi$ x3 5 TURNS
9	MYLAR TAPE 0.025mm 3 TURNS
10	PEINFORCE POLYESTER TAPE OR ACETATE TAPE W:3mm
11	MYLAR TAPE 0.025mm 1 TURN
12	MYLAR TAPE 0.025mm 3 TURNS
13	MYLAR FILM 0.2mm 1 TURN
14	MYLAR TAPE 0.025mm 2 TURNS

Date issue: 7-22-88	DSP-A500 (VDE/BSI)	Page	of
issue by: <i>[Signature]</i>	MAIN X'FMR EI-40x12	Dwg. No.	
Approval:	Part No.: E401203-012		



**This was brought to you**

**from the archives of**

**<http://retro-commadore.eu>**